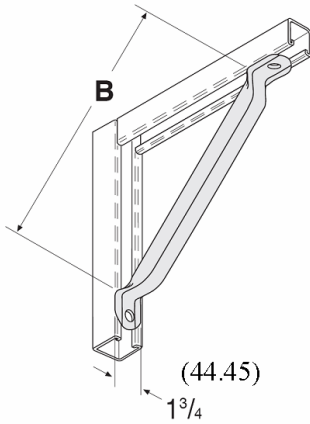




# BRACES

5420 - 5427

## 2-Hole 45° Tubing Knee Brace



| Fig. Number | Length B |           | Std. Package | Max. Rec. Load |        | Wt. Each |        |
|-------------|----------|-----------|--------------|----------------|--------|----------|--------|
|             |          |           |              | Lbs.           | kN     | Lbs.     | kg     |
| 5420        | 18       | (457.20)  | Bulk         | 1500           | (6.67) | 1.45     | (.66)  |
| 5421        | 24       | (609.60)  | Bulk         | 1500           | (6.67) | 1.86     | (.84)  |
| 5422        | 30       | (762.00)  | Bulk         | 1500           | (6.67) | 2.25     | (1.02) |
| 5423        | 36       | (914.40)  | Bulk         | 1500           | (6.67) | 2.66     | (1.21) |
| 5424        | 42       | (1066.80) | Bulk         | 1230           | (5.47) | 3.07     | (1.39) |
| 5425        | 48       | (1219.20) | Bulk         | 940            | (4.18) | 3.48     | (1.58) |
| 5426        | 54       | (1371.60) | Bulk         | 740            | (3.29) | 3.89     | (1.76) |
| 5427        | 60       | (1524.00) | Bulk         | 600            | (2.67) | 4.30     | (1.95) |

**MATERIAL:** 1/4 (6.35)

**FINISH:** Electro-galvanized

**ORDERING:** Specify figure number and angle "B".

**HOLE DIM:** 9/16 (14.29) dia. • 13/16 (20.64) from end

Unless otherwise specified, all dimensions on drawings and in charts are in inches and dimensions shown in parentheses are in millimeters.