



# 90° FITTINGS

## 5130 4-Hole Corner Angle

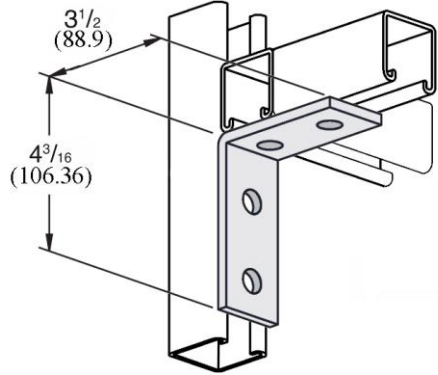


Fig. Number	Std. Package	Wt. Each	
		lbs.	kg
5130	25	.78	(.35)

Available in stainless steel. To order, specify 304 or 316 and add suffix SS to fig. number. Price on request.

**MATERIAL:** 1/4 X 1 5/8 (6.35 X 41.28)

**FINISH:** Electro-galvanized

**ORDERING:** Specify figure number.

**HOLE DIM:** 9/16 (14.29) dia. • 13/16 (20.64) from end • 1 7/8 (47.63) on centers

## 5131 4-Hole Corner Angle

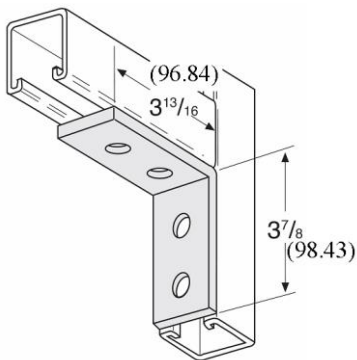


Fig. Number	Std. Package	Wt. Each	
		lbs.	kg
5131	25	.76	(.34)

Available in stainless steel. To order, specify 304 or 316 and add suffix SS to fig. number. Price on request.

**MATERIAL:** 1/4 X 1 5/8 (6.35 X 41.28)

**FINISH:** Electro-galvanized

**ORDERING:** Specify figure number.

**HOLE DIM:** 9/16 (14.29) dia. • 13/16 (20.64) from end • 1 7/8 (47.63) on centers

## 5135 4-Hole Corner Angle

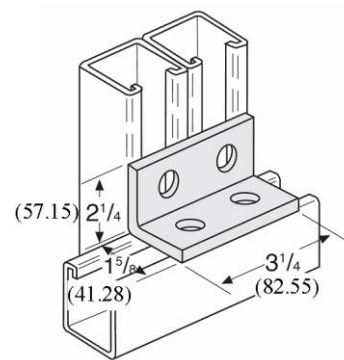


Fig. Number	Std. Package	Wt. Each	
		lbs.	kg
5135	25	.73	(.33)

Available in stainless steel. To order, specify 304 or 316 and add suffix SS to fig. number. Price on request.

**MATERIAL:** 1/4 (6.35)

**FINISH:** Electro-galvanized

**ORDERING:** Specify figure number and length "B".

**HOLE DIM:** 9/16 (14.29) dia. • 13/16 (20.64) from end • 1 5/8 (41.28) on centers

Unless otherwise specified, all dimensions on drawings and in charts are in inches and dimensions shown in parentheses are in millimeters.