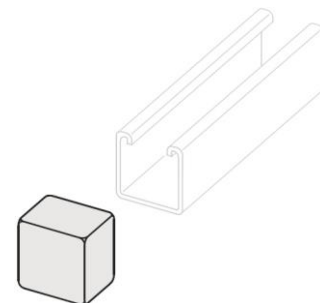


Safety End Caps

4475 - 4489

Fig. Number	Color	Std. Package	Use With Fig. Numbers	Wt. Each	
				Lbs.	kg
4475	Red	50	1200 & 1300	.03	(.01)
4476	White	50	1200 & 1300	.03	(.01)
4477	Yellow	50	1200 & 1300	.03	(.01)
4478	Gray	50	1200 & 1300	.03	(.01)
4479	Black	50	1200 & 1300	.03	(.01)
4480	Red	50	1000 & 1100	.04	(.02)
4481	White	50	1000 & 1100	.04	(.02)
4482	Yellow	50	1000 & 1100	.04	(.02)
4483	Gray	50	1000 & 1100	.04	(.02)
4484	Black	50	1000 & 1100	.04	(.02)
4485	Red	50	1500	.07	(.03)
4486	White	50	1500	.07	(.03)
4487	Yellow	50	1500	.07	(.03)
4488	Gray	50	1500	.07	(.03)
4489	Black	50	1500	.07	(.03)



MATERIAL: PVC

ORDERING: Specify figure number

Unless otherwise specified, all dimensions on drawings and in charts are in inches and dimensions shown in parentheses are in millimeters.