

CLEVIS HANGERS



CLEVIS HANGER FOR INSULATED PIPE LINES

FIG. 430

Function: Designed for the suspension of insulated stationary pipe lines. The elongated design permits the insulation to encompass the hanger, while maintaining a clearance between the insulation and the cross bolt. This allows the installation of the insulation to be more economical due to the fact that less cutting and fitting is required.

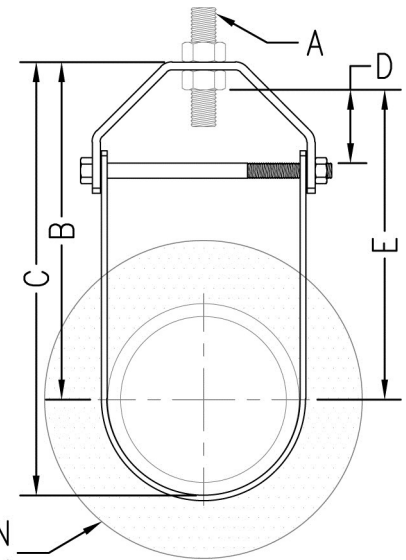
Material: Carbon steel (Type 304 or 316 Stainless Steel upon request)

Finish: Plain or electro-galvanized (Hot dipped galvanized with electro-galvanized hardware upon request)

Approvals: Complies with Federal Specifications A-A-1192A (Type 1) and Manufacturers' Standardization Society ANSI/MSS SP-58 (Type 1) which supersedes ANSI/MSS SP-69.

Ordering: Specify figure number, pipe size, and material, and finish.

NOTE: Use of an upper locknut ensures proper performance.



INSULATION SHOWN FOR CLARITY

Pipe Size	Rod Size A	B		C		Adjustment D		E		Cross Bolt	Max. Insulation Thickness	Wt. Each					
		lbs.	mm	lbs.	mm	in.	mm	in.	mm			lbs.	kg				
1/2	(15)	3/8	3 3/4	(95.25)	4 1/4	(107.95)	9/16	(14.29)	3 7/16	(87.31)	1/4	2	(50.8)	730	(3.25)	.47	(.21)
3/4	(20)	3/8	4 1/4	(107.95)	4 7/8	(123.83)	5/8	(15.88)	3 7/8	(98.43)	1/4	2	(50.8)	730	(3.25)	.48	(.22)
1	(25)	3/8	5 1/8	(130.18)	5 3/4	(146.05)	1 5/8	(41.28)	4 11/16	(119.06)	1/4	2	(50.8)	730	(3.25)	.55	(.25)
1 1/4	(32)	3/8	5 5/16	(134.94)	6 1/8	(155.58)	1 5/8	(41.28)	4 7/8	(123.83)	1/4	2	(50.8)	730	(3.25)	.56	(.25)
1 1/2	(40)	3/8	5 7/16	(138.11)	6 3/8	(161.93)	1 1/2	(38.10)	5	(127.00)	1/4	2	(50.8)	730	(3.25)	.61	(.28)
2	(50)	3/8	7 9/16	(192.09)	8 3/4	(222.25)	1 5/8	(41.28)	7 1/8	(180.98)	1/4	4	(101.6)	730	(3.25)	.84	(.38)
2 1/2	(65)	1/2	7 13/16	(198.44)	9 1/4	(234.95)	1 1/8	(28.58)	7 3/16	(182.56)	3/8	4	(101.6)	1350	(6.01)	1.65	(.75)
3	(80)	1/2	8 1/8	(206.38)	9 7/8	(250.83)	1 1/8	(28.58)	7 1/2	(190.50)	3/8	4	(101.6)	1350	(6.01)	1.69	(.77)
3 1/2	(90)	1/2	8 3/8	(212.73)	10 3/8	(263.53)	1 1/4	(31.75)	7 3/4	(196.85)	3/8	4	(101.6)	1350	(6.01)	1.77	(.80)
4	(100)	5/8	9 5/8	(244.48)	11 7/8	(301.63)	1 3/4	(44.45)	8 7/8	(225.43)	3/8	4	(101.6)	1430	(6.36)	2.07	(.94)
5	(125)	5/8	10 5/16	(261.94)	13 1/8	(333.38)	1 7/8	(47.63)	6 13/16	(173.04)	1/2	4	(101.6)	1430	(6.36)	2.99	(1.36)
6	(150)	3/4	10 13/16	(274.64)	14 1/8	(358.78)	1 5/8	(41.28)	9 15/16	(252.41)	1/2	4	(101.6)	1940	(8.63)	3.25	(1.47)
8	(200)	3/4	12 9/16	(319.09)	16 7/8	(428.63)	2 1/8	(53.98)	11 9/16	(293.69)	5/8	4	(101.6)	2000	(8.90)	4.60	(2.09)
10	(250)	7/8	14 1/8	(358.78)	19 1/2	(495.30)	2 5/8	(66.68)	13 3/8	(339.73)	3/4	4	(101.6)	3600	(16.01)	8.97	(4.07)
12	(300)	7/8	15 3/4	(400.05)	22 1/8	(561.98)	2 5/8	(66.68)	14 5/8	(371.48)	3/4	4	(101.6)	3800	(16.90)	11.12	(5.04)

Adjustment "D" (Top of cross bolt to bottom of hanger rod nut.)

THREADED ACCESSORIES
CPVC STRAPS
BAND HANGERS
BEAM CLAMPS
CLEVIS HANGERS
PIPE ROLLER SUPPORTS
SPLIT RING HANGERS
PIPE CLAMPS
CENTER LOAD BEAM CLAMPS
PIPE SHIELDS, INSULATION, & SADDLES
PIPE GUIDES & SLIDES
WALL BRACKETS
PIPE SUPPORTS
STRUCTURAL ATTACHMENTS
SEISMIC BRACING