



CLEVIS FITTINGS

5705 2-Hole Splice Clevis For #1200 & #1300 Strut

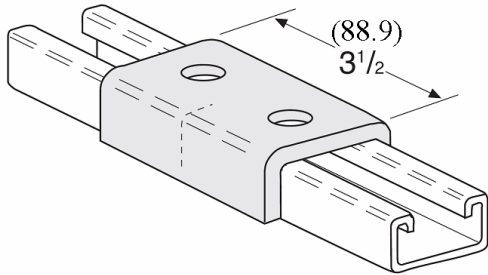


Fig. Number	Std. Package	Wt. Each	
		lbs.	kg
5705	20	.78	(.35)

Available in stainless steel. To order, specify 304 or 316 and add suffix SS to fig. number. Price on request.

MATERIAL: 1/4 (6.35)
FINISH: Electro-galvanized
ORDERING: Specify figure number.
HOLE DIM: 9/16 (14.29) dia. • 13/16 (20.64) from end • 17/8 (47.63) on centers

5710 3-Hole Splice Clevis For #1200 & #1300 Strut

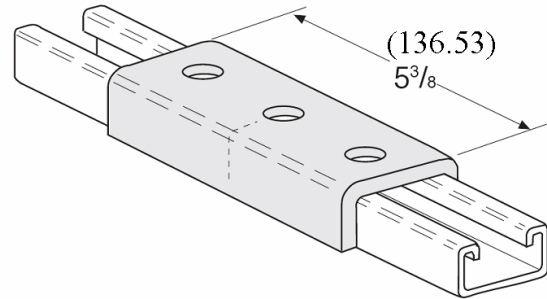


Fig. Number	Std. Package	Wt. Each	
		lbs.	kg
5710	20	1.25	(.57)

MATERIAL: 1/4 (6.35)
FINISH: Electro-galvanized
ORDERING: Specify figure number.
HOLE DIM: 9/16 (14.29) dia. • 13/16 (20.64) from end • 17/8 (47.63) on centers

5715 4-Hole Splice Clevis For #1200 & #1300 Strut

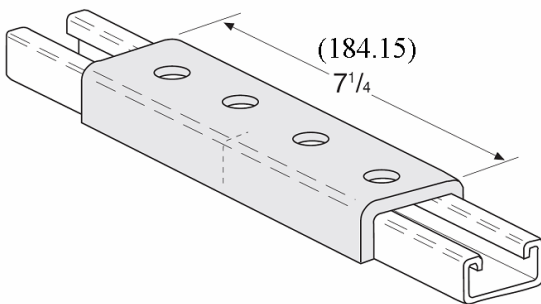


Fig. Number	Std. Package	Wt. Each	
		lbs.	kg
5715	20	1.75	(.79)

MATERIAL: 1/4 (6.35)
FINISH: Electro-galvanized
ORDERING: Specify figure number.
HOLE DIM: 9/16 (14.29) dia. • 13/16 (20.64) from end • 17/8 (47.63) on centers

5720 2-Hole Splice Clevis For #1000 & #1100 Strut

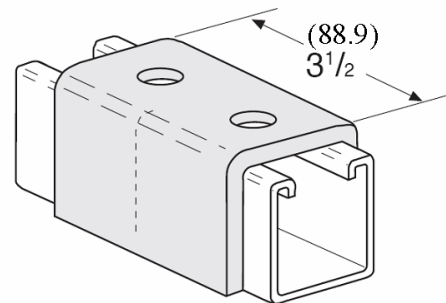


Fig. Number	Std. Package	Wt. Each	
		lbs.	kg
5720	20	1.19	(.54)

Available in stainless steel. To order, specify 304 or 316 and add suffix SS to fig. number. Price on request.

MATERIAL: 1/4 (6.35)
FINISH: Electro-galvanized
ORDERING: Specify figure number.
HOLE DIM: 9/16 (14.29) dia. • 13/16 (20.64) from end • 17/8 (47.63) on centers

Unless otherwise specified, all dimensions on drawings and in charts are in inches and dimensions shown in parentheses are in millimeters.

5730 - 5732 4-Hole Splice Clevis

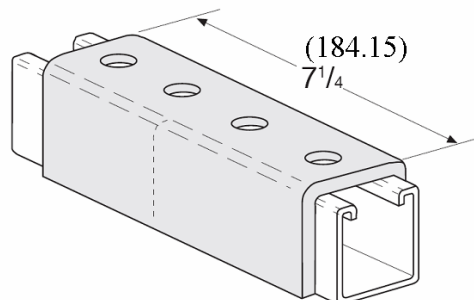


Fig. Number	For Use With	Wt. Each	
		lbs.	kg
5730	1 ⁵ / ₈ " tall strut	2.68	(1.22)
5731	2 ⁷ / ₁₆ " tall strut	3.15	(1.43)
5732	3 ¹ / ₄ " tall strut	3.80	(1.72)

Available in stainless steel. To order, specify 304 or 316 and add suffix SS to fig. number. Price on request.

MATERIAL: 1/4 (6.35)

FINISH: Electro-galvanized

ORDERING: Specify figure number.

HOLE DIM: 9/16 (14.29) dia. • 13/16 (20.64) from end • 17/8 (47.63) on centers

Unless otherwise specified, all dimensions on drawings and in charts are in inches and dimensions shown in parentheses are in millimeters.