

CLEVIS HANGERS

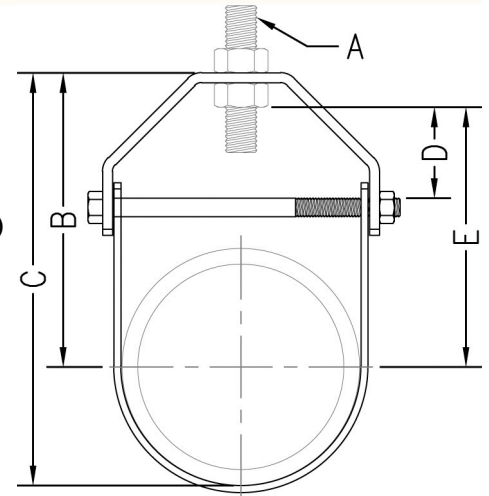


A.W.W.A CLEVIS HANGER

FIG. 420

- Function:** Designed for the suspension of stationary (A.W.W.A.) ductile iron and cast iron pipe.
- Material:** Carbon steel (Type 304 or 316 Stainless Steel upon request)
- Finish:** Plain or electro-galvanized (Hot dipped galvanized with electro-galvanized hardware upon request)
- Approvals:** Complies with Federal Specifications A-A-1192A (Type 1) and Manufacturers' Standardization Society ANSI/MSS SP-58 (Type 1) which supersedes ANSI/MSS SP-69.
- Ordering:** Specify figure number, A.W.W.A. pipe size, material, and finish.

NOTE: Use of an upper locknut ensures proper performance. For sizes of 10" (250) and larger, a pipe spacer is added over the cross bolt.



A.W.W.A. Pipe Size		Pipe O.D.		Rod Size A	B		C		Adjustment D		E		Cross Bolt	Max. Rec. Load		Wt. Each	
														lbs.	kN	lbs.	kg
3	(80)	3.96	(100.58)	1/2	4 1/2	(114.30)	6 1/2	(165.10)	1 1/4	(31.75)	3 7/8	(98.43)	3/8	1350	(6.01)	1.22	(.55)
4	(100)	4.80	(121.92)	5/8	5 3/4	(146.05)	8 1/8	(206.38)	1 3/8	(34.93)	4 5/8	(117.48)	3/8	1430	(6.36)	2.08	(.94)
6	(150)	6.90	(175.26)	3/4	6 15/16	(176.21)	10 3/8	(263.53)	1 3/8	(34.93)	5 5/8	(142.88)	1/2	1940	(8.63)	2.78	(1.26)
8	(200)	9.05	(229.87)	3/4	9 1/4	(234.95)	13 3/4	(349.25)	2 1/2	(63.50)	7 7/8	(200.03)	5/8	2000	(8.90)	4.47	(2.03)
10	(250)	11.10	(281.94)	7/8	11 1/8	(282.58)	16 5/8	(422.28)	2 1/2	(63.50)	9 5/8	(244.48)	3/4	3600	(16.01)	8.87	(4.02)
12	(300)	13.20	(335.28)	7/8	12 5/8	(320.68)	19 1/4	(488.95)	2 7/8	(73.03)	11 1/8	(282.58)	3/4	3800	(16.90)	12.03	(5.46)
14	(350)	15.30	(388.62)	1	14 1/8	(358.78)	21 3/4	(552.45)	3 1/8	(79.38)	12 3/8	(314.33)	7/8	4200	(18.68)	15.15	(6.87)
16	(400)	17.40	(441.96)	1	14 7/8	(377.83)	23 5/8	(600.08)	2 3/4	(69.85)	13 1/8	(333.38)	1	4600	(20.46)	23.61	(10.71)
18	(450)	19.50	(495.30)	1	16 1/2	(419.10)	26 1/4	(666.75)	3 1/4	(82.55)	14 5/8	(371.48)	1 1/8	4800	(21.35)	25.90	(11.75)
20	(500)	21.60	(548.64)	1 1/4	18 11/16	(474.66)	29 1/2	(749.30)	3 5/8	(92.08)	16 13/16	(427.04)	1 1/4	4800	(21.35)	44.30	(20.09)
24	(600)	25.80	(655.32)	1 1/4	21 13/16	(554.04)	34 3/4	(882.65)	4 5/8	(117.48)	19 15/16	(506.41)	1 1/4	4800	(21.35)	52.45	(23.79)
30	(750)	32.00	(812.80)	1 1/4	33 1/2	(850.90)	46 1/2	(1181.10)	6 1/2	(165.10)	30 3/8	(771.53)	1 1/4	4800	(21.35)	76.90	(34.88)
36	(900)	38.30	(972.82)	1 1/2	38 1/8	(968.38)	53 1/4	(1352.55)	7 1/4	(184.15)	31 1/4	(793.75)	1 1/2	7000	(31.14)	202.00	(91.63)

Adjustment "D" (Top of cross bolt to bottom of hanger rod nut.)

THREADED ACCESSORIES
 CPVC STRAPS
 BAND HANGERS
 BEAM CLAMPS
 CLEVIS HANGERS
 PIPE ROLLER SUPPORTS
 SPLIT RING HANGERS
 PIPE CLAMPS
 CENTER LOAD BEAM CLAMPS
 PIPE SHIELDS, INSULATION, & SADDLES
 PIPE GUIDES & SLIDES
 WALL BRACKETS
 PIPE SUPPORTS
 STRUCTURAL ATTACHMENTS
 SEISMIC BRACING