

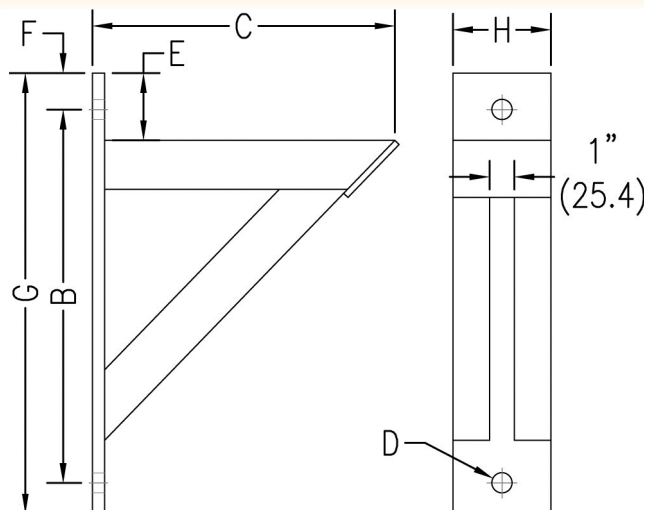
# WALL BRACKETS



## MEDIUM DUTY WALL BRACKET

**FIG. 855**

- Function:** Designed for the support or suspension of loads up to 1500 lbs. (6.67kN). from walls or structures. The 1" (25.4) space between the angles allows the rod to be placed anywhere along the length of the brackets.
- Material:** Carbon steel (Type 304 or 316 Stainless Steel upon request)
- Finish:** Plain or electro-galvanized (Hot dipped galvanized upon request)
- Approvals:** Complies with Federal Specification A-A-1192A (Type 32) and Manufacturers' Standardization Society ANSI/MSS SP-58 (Type 32) which supersedes ANSI/MSS SP-69.
- Ordering:** Specify figure number, type number, material, and finish.



Type Number	B		C		Hole Size D		E		F		G		H		Max. Rec. Load		Wt. Each	
	in	mm	in	mm	in	mm	in	mm	in	mm	in	mm	in	mm	lbs.	kN	lbs.	kg
0	15 1/2	(393.7)	12	(304.8)	13/16	(20.64)	2 1/2	(63.5)	1 1/4	(31.75)	18	(457.2)	4	(101.6)	1500	(6.67)	17.4	(7.89)
1	21 1/2	(546.1)	18	(457.2)	13/16	(20.64)	2 1/2	(63.5)	1 1/4	(31.75)	24	(609.6)	4 1/2	(114.3)	1500	(6.67)	27.3	(12.38)
2	27 1/2	(698.5)	24	(609.6)	13/16	(20.64)	2 1/2	(63.5)	1 1/4	(31.75)	30	(762.0)	5	(127.0)	1500	(6.67)	47.6	(21.59)

THREADED ACCESSORIES  
CPVC STRAPS  
BAND HANGERS  
BEAM CLAMPS  
CLEVIS HANGERS  
PIPE ROLLER SUPPORTS  
SPLIT RING HANGERS  
PIPE CLAMPS  
CENTER LOAD BEAM CLAMPS  
PIPE SHIELDS, INSULATION, & SADDLES  
PIPE GUIDES & SLIDES  
WALL BRACKETS  
PIPE SUPPORTS  
STRUCTURAL ATTACHMENTS  
SEISMIC BRACING