

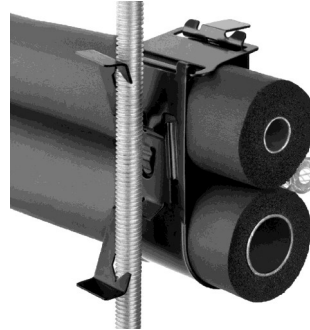
BAND HANGERS



TRH HANGING SYSTEM

FIG. TRH 2 - TRH 5

Function: Supports a pair of insulated flow and return refrigerant lines on $\frac{1}{4}$ " to $\frac{3}{8}$ " threaded rod. Simply fold the lock-tab over to secure the lines into the strap. The spring steel hanger grips the rod tightly, and the black zinc coating offers corrosion resistance while matching the insulation color. The clamp can be detached from the rod hanger and used to secure lines to flat surfaces.



Material: Spring Steel
Finish: Powder Coated
Ordering: Specify figure number.

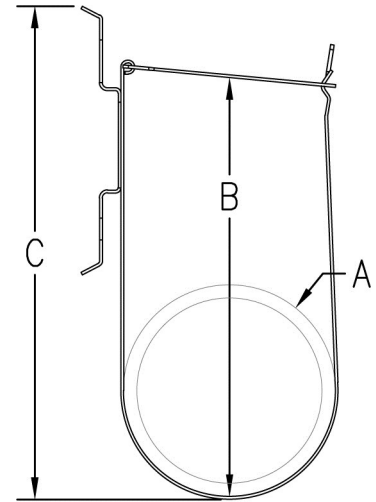


Fig. Number	Rod Size	A		B		C		Wt. Each	
		in.	(mm)	in.	(mm)	in.	(mm)	lbs.	kg
TRH 2	$\frac{1}{4}$ - $\frac{3}{8}$	1.28	(32.51)	3.12	(79.25)	3.82	(97.03)	.148	(.07)
TRH 3	$\frac{1}{4}$ - $\frac{3}{8}$	1.40	(35.56)	3.28	(83.31)	3.70	(93.98)	.152	(.07)
TRH 4	$\frac{1}{4}$ - $\frac{3}{8}$	2.40	(60.96)	4.17	(105.92)	5.00	(127.00)	.209	(.09)
TRH 5	$\frac{1}{4}$ - $\frac{3}{8}$	3.38	(85.85)	6.26	(159.00)	7.03	(178.56)	.316	(.14)

- THREADED ACCESSORIES
- CPVC STRAPS
- BAND HANGERS
- BEAM CLAMPS
- CLEVIS HANGERS
- PIPE ROLLER SUPPORTS
- SPLIT RING HANGERS
- PIPE CLAMPS
- CENTER LOAD BEAM CLAMPS
- PIPE SHIELDS, INSULATION, & SADDLES
- PIPE GUIDES & SLIDES
- WALL BRACKETS
- PIPE SUPPORTS
- STRUCTURAL ATTACHMENTS
- SEISMIC BRACING