

# PIPE HANGERS

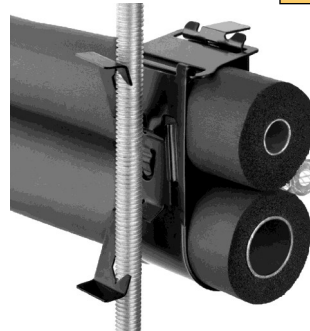


**FUNCTION:** Supports a pair of insulated flow and return refrigerant lines on 1/4" to 3/8" threaded rod. Simply fold the lock-tab over to secure the lines into the strap. The spring steel hanger grips the rod tightly, and the black zinc coating offers corrosion resistance while matching the insulation color. The clamp can be detached from the rod hanger and used to secure lines to flat surfaces.

**MATERIAL:** Spring Steel

**FINISH:** Powder Coated

**ORDERING:** Specify figure number.



**Fig. TRH 2 - TRH 5  
TRH HANGING SYSTEM**

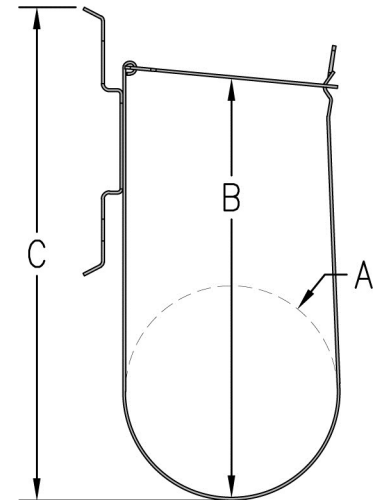


Fig. Number	Rod Size	A		B		C		Wt. Each	
								lbs.	kg
TRH 2	1/4 - 3/8	1.28	(32.51)	3.12	(79.25)	3.82	(97.03)	.148	(.07)
TRH 3	1/4 - 3/8	1.40	(35.56)	3.28	(83.31)	3.70	(93.98)	.152	(.07)
TRH 4	1/4 - 3/8	2.40	(60.96)	4.17	(105.92)	5.00	(127.00)	.209	(.09)
TRH 5	1/4 - 3/8	3.38	(85.85)	6.26	(159.00)	7.03	(178.56)	.316	(.14)

Unless otherwise specified, all dimensions on drawings and in charts are in inches and dimensions shown in parentheses are in millimeters.