

RISER CLAMPS



FUNCTION: The patented Titan riser is made to fit insulated pipe and create a clean vapor barrier on vertical pipe runs. Klo-Shure Titan riser will dramatically improve the fit and finish of insulated tube and pipe runs.

MATERIAL: Low carbon steel clamp. Cushion material is Washington Penn TPO in accordance with ASTM D 4000, TEO0120, A45000

FINISH: Electro-galvanized

ORDERING: Specify figure number.

**Fig. R087100 - R412150
TITAN INSULATION
RISER CLAMP SERIES**

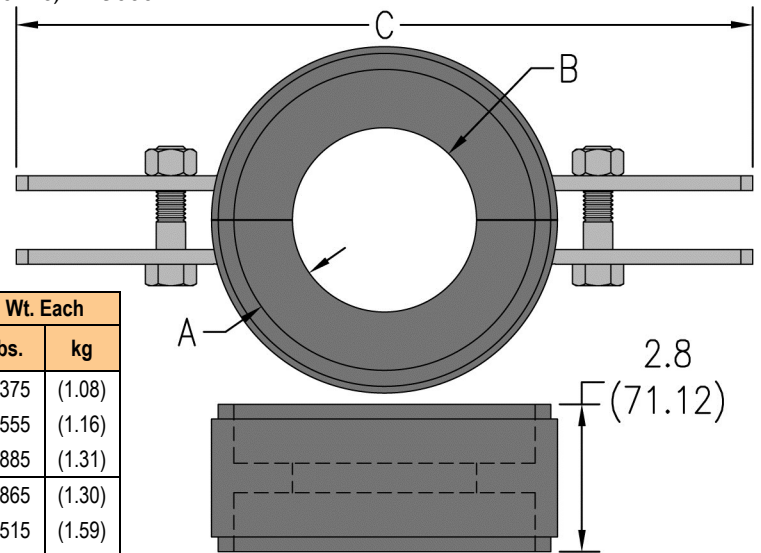


Fig. Number	Insulation Thickness A		B		C		Max. Rec. Load		Wt. Each	
							lbs.	kN	lbs.	kg
R087100	1	(25.4)	7/8	(22.23)	10.125	(257.18)	200	(0.89)	2.375	(1.08)
R112100	1	(25.4)	1 1/8	(28.58)	10.875	(276.23)	400	(1.78)	2.555	(1.16)
R137100	1	(25.4)	1 3/8	(34.93)	11.5	(292.10)	800	(3.56)	2.885	(1.31)
R162100	1	(25.4)	1 5/8	(41.28)	11.5	(292.10)	800	(3.56)	2.865	(1.30)
R212100	1	(25.4)	2 1/8	(53.98)	11.5	(292.10)	1400	(6.23)	3.515	(1.59)
R262100	1	(25.4)	2 5/8	(66.68)	12.5	(317.50)	1600	(7.12)	3.855	(1.75)
R312100	1	(25.4)	3 1/8	(79.38)	12.5	(317.50)	2100	(9.34)	4.215	(1.91)
R412100	1	(25.4)	4 1/8	(104.78)	13.8	(350.52)	2400	(10.68)	5.475	(2.48)
R087150	1 1/2	(38.1)	7/8	(22.23)	10.875	(276.23)	300	(1.33)	2.905	(1.32)
R112150	1 1/2	(38.1)	1 1/8	(28.58)	10.875	(276.23)	400	(1.78)	3.045	(1.38)
R137150	1 1/2	(38.1)	1 3/8	(34.93)	11.5	(292.10)	600	(2.67)	3.355	(1.52)
R162150	1 1/2	(38.1)	1 5/8	(41.28)	11.5	(292.10)	900	(4.00)	3.625	(1.64)
R212150	1 1/2	(38.1)	2 1/8	(53.98)	12	(304.80)	1400	(6.23)	4.245	(1.93)
R262150	1 1/2	(38.1)	2 5/8	(66.68)	12	(304.80)	900	(4.00)	3.855	(1.75)
R312150	1 1/2	(38.1)	3 1/8	(79.38)	13	(330.20)	1400	(6.23)	5.785	(2.62)
R421150	1 1/2	(38.1)	4 1/8	(104.78)	15.625	(396.88)	2200	(9.79)	6.915	(3.14)

Load data based on 200 in-lb torque

Unless otherwise specified, all dimensions on drawings and in charts are in inches and dimensions shown in parentheses are in millimeters.