

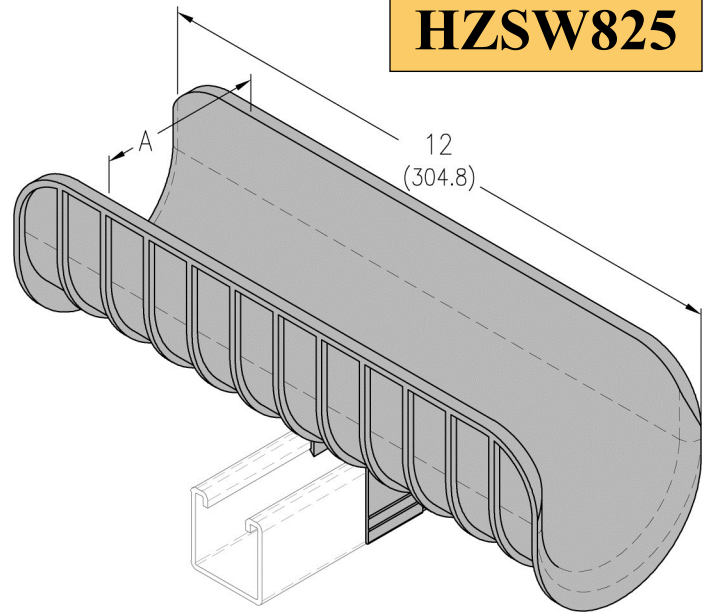
PIPE SADDLE



Bronco Saddle for Insulated Tube & Pipe

**HZSB225 -
HZSW825**

Fig. Number	Saddle Color	A		Wt. Each	
				lbs.	kg
HZSB225	BLACK	2 ¹ / ₄	(57.15)	.20	(.09)
HZSB325	BLACK	3 ¹ / ₄	(82.55)	.29	(.13)
HZSB425	BLACK	4 ¹ / ₄	(107.95)	.34	(.15)
HZSB525	BLACK	5 ¹ / ₄	(133.35)	.44	(.20)
HZSB625	BLACK	6 ¹ / ₄	(158.75)	.55	(.25)
HZSB825	BLACK	8 ¹ / ₄	(209.55)	.95	(.43)
HZSW225	WHITE	2 ¹ / ₄	(57.15)	.20	(.09)
HZSW325	WHITE	3 ¹ / ₄	(82.55)	.29	(.13)
HZSW425	WHITE	4 ¹ / ₄	(107.95)	.34	(.15)
HZSW525	WHITE	5 ¹ / ₄	(133.35)	.44	(.20)
HZSW625	WHITE	6 ¹ / ₄	(158.75)	.55	(.25)
HZSW825	WHITE	8 ¹ / ₄	(209.55)	.95	(.43)



Material: High-strength polypropylene copolymer

Temperature Rating: -40°F to 178°F (-40°C to 81°C)

Ordering: Specify figure number.

Unless otherwise specified, all dimensions on drawings and in charts are in inches and dimensions shown in parentheses are in millimeters.