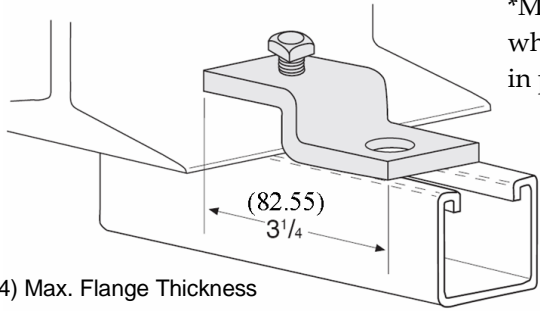




BEAM CLAMPS

7030 "Z" Beam Clamp



*Max. load when used in pairs.

1" (25.4) Max. Flange Thickness

Fig. Number	Set Screw	Std. Package	Max. Rec. Load		Wt. Each	
			lbs.	kN	lbs.	kg
7030	1/2	25	900*	(4.00)	.63	(.29)

Note: Includes Set Screw. Order 1/2" -13 X 1 3/4 HHCS and Strut Nut Separately

Available in stainless steel. To order, specify 304 or 316 and add suffix SS to fig. number. Price on request.

MATERIAL: 3/8 (9.53)

FINISH: Electro-galvanized

ORDERING: Specify figure number.

Unless otherwise specified, all dimensions on drawings and in charts are in inches and dimensions shown in parentheses are in millimeters.