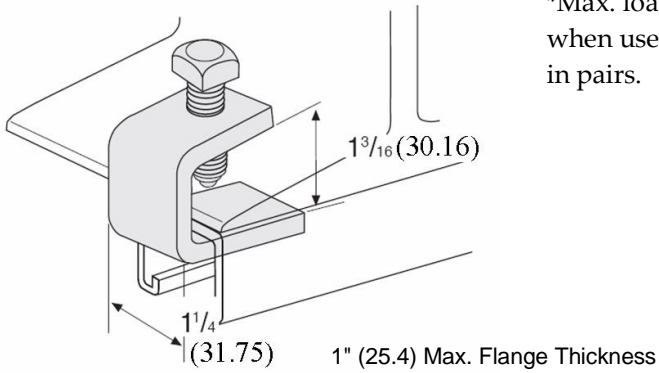




# BEAM CLAMPS

## 7011 & 7012 "I" Beam Clamp



\*Max. load when used in pairs.

Fig. Number	Material Size		Set Screw	Std. Package	Max. Rec. Load		Wt. Each	
					lbs.	kN	lbs.	kg
7011	1/4	(6.35)	3/8	50	900*	(4.00)	.26	(.12)
7012	3/8	(9.53)	1/2	25	1800*	(8.00)	.64	(.29)

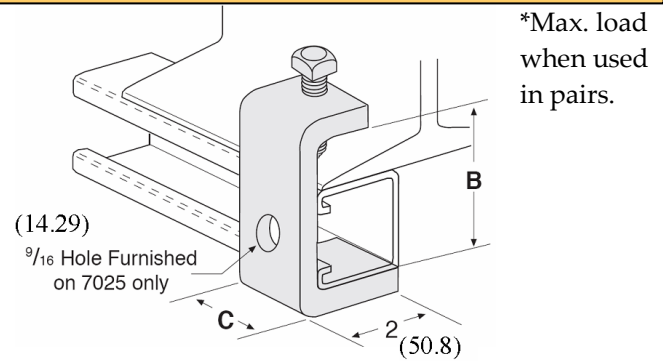
**Note:** Includes Set Screw

Available in stainless steel. To order, specify 304 or 316 and add suffix SS to fig. number. Price on request.

**FINISH:** Electro-galvanized

**ORDERING:** Specify figure number.

## 7020 & 7025 "I" Beam Clamp



\*Max. load when used in pairs.

Fig. Number	B		C		Std. Package	Max. Rec. Load		Wt. Each	
						lbs.	kN	lbs.	kg
7020	2	(50.80)	1 1/4	(31.75)	25	900*	(4.00)	.72	(.33)
7025	2 1/2	(63.50)	1 1/2	(38.10)	25	1000*	(4.45)	.94	(.43)

**Note:** Includes Set Screw

Available in stainless steel. To order, specify 304 or 316 and add suffix SS to fig. number. Price on request.

**MATERIAL:** 3/8 (9.53)

**FINISH:** Electro-galvanized

**ORDERING:** Specify figure number.

Unless otherwise specified, all dimensions on drawings and in charts are in inches and dimensions shown in parentheses are in millimeters.