



ANGLE FITTINGS

5380 2-Hole Adjustable Hinge

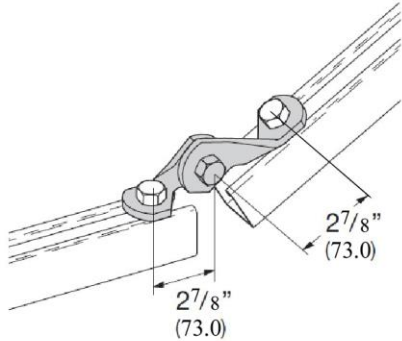


Fig. Number	Std. Package	Wt. Each	
		lbs.	kg
5380	25	.78	(.35)

MATERIAL: 1/4 (6.35)
FINISH: Electro-galvanized
ORDERING: Specify figure number.
HOLE DIM: 9/16 (14.29) dia. • 13/16 (20.64) from end • 15/8 (41.28) on centers

5381 3-Hole Adjustable Hinge

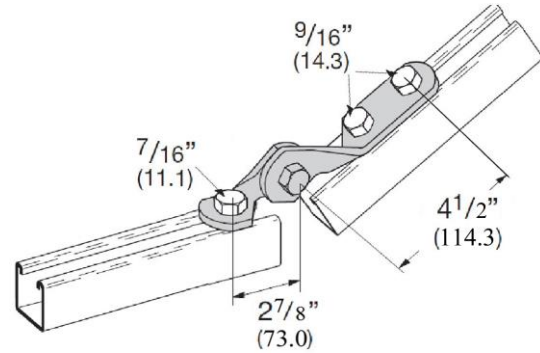


Fig. Number	Std. Package	Wt. Each	
		lbs.	kg
5381	20	.96	(.44)

MATERIAL: 1/4 (6.35)
FINISH: Electro-galvanized
ORDERING: Specify figure number.
HOLE DIM: 9/16 (14.29) dia. • 13/16 (20.64) from end • 15/8 (41.28) on centers

5382 3-Hole Adjustable Hinge

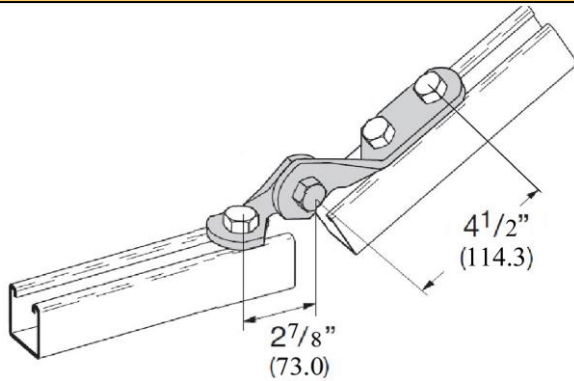


Fig. Number	Std. Package	Wt. Each	
		lbs.	kg
5382	20	.94	(.43)

MATERIAL: 1/4 (6.35)
FINISH: Electro-galvanized
ORDERING: Specify figure number.
HOLE DIM: 9/16 (14.29) dia. • 13/16 (20.64) from end • 15/8 (41.28) on centers

5383 4-Hole Adjustable Hinge

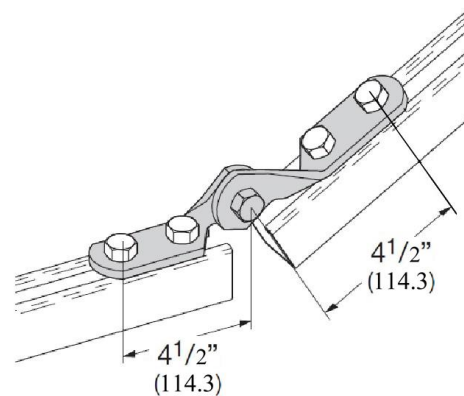


Fig. Number	Std. Package	Wt. Each	
		lbs.	kg
5383	20	1.33	(.60)

MATERIAL: 1/4 (6.35)
FINISH: Electro-galvanized
ORDERING: Specify figure number.
HOLE DIM: 9/16 (14.29) dia. • 13/16 (20.64) from end • 15/8 (41.28) on centers

Unless otherwise specified, all dimensions on drawings and in charts are in inches and dimensions shown in parentheses are in millimeters.



ANGLE FITTINGS

5384 2-Hole Adjustable Hinge

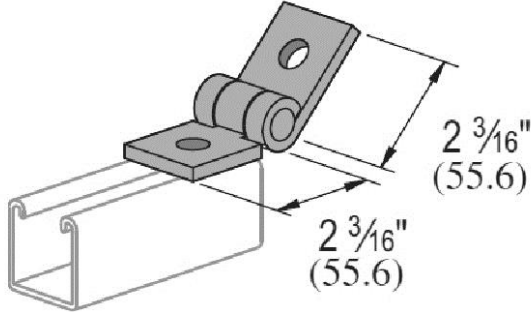


Fig. Number	Std. Package	Wt. Each	
		lbs.	kg
5384	25	.68	(.31)

Available in stainless steel. To order, specify 304 or 316 and add suffix SS to fig. number. Price on request.

MATERIAL: 1/4 (6.35)

FINISH: Electro-galvanized

ORDERING: Specify figure number.

HOLE DIM: 9/16 (14.29) dia. • 13/16 (20.64) from end • 17/8 (47.63) on centers

5385 3-Hole Adjustable Hinge

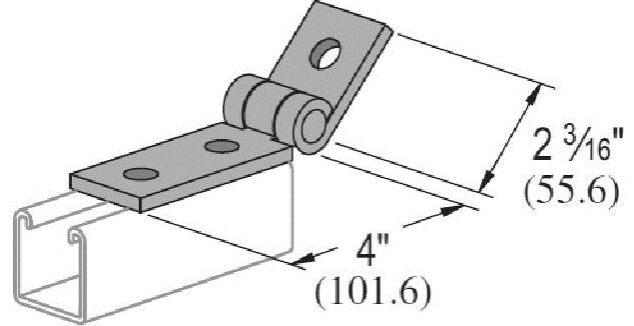


Fig. Number	Std. Package	Wt. Each	
		lbs.	kg
5385	25	.89	(.40)

Available in stainless steel. To order, specify 304 or 316 and add suffix SS to fig. number. Price on request.

MATERIAL: 1/4 (6.35)

FINISH: Electro-galvanized

ORDERING: Specify figure number.

HOLE DIM: 9/16 (14.29) dia. • 13/16 (20.64) from end • 17/8 (47.63) on centers

5386 4-Hole Adjustable Hinge

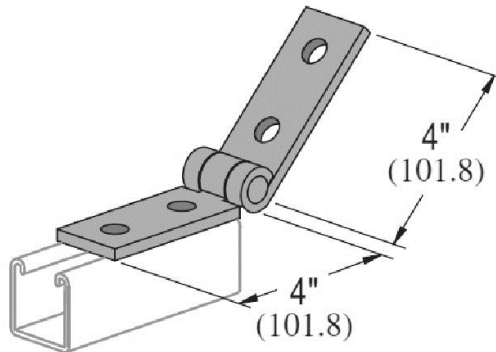


Fig. Number	Std. Package	Wt. Each	
		lbs.	kg
5386	25	1.09	(.49)

Available in stainless steel. To order, specify 304 or 316 and add suffix SS to fig. number. Price on request.

MATERIAL: 1/4 (6.35)

FINISH: Electro-galvanized

ORDERING: Specify figure number.

HOLE DIM: 9/16 (14.29) dia. • 13/16 (20.64) from end • 17/8 (47.63) on centers

Unless otherwise specified, all dimensions on drawings and in charts are in inches and dimensions shown in parentheses are in millimeters.