

## 7560 60° Rollers with Center Roller

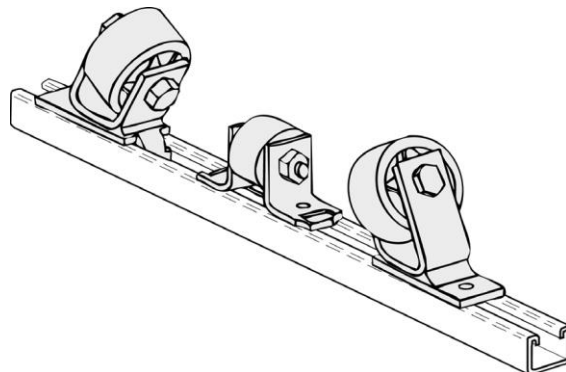


Fig. Number	For Pipe Sizes	Max. Rec. Load		Std. Package	Wt. Per Set	
		lbs.	Kn		lbs.	kg
7560	20 – 30 (500 – 750)	2000	(8.90)	5 sets	5.70	(2.59)

**MATERIAL:** Cast Aluminum Rolls w/steel bracket.

**FINISH:** Electro-galvanized

**ORDERING:** Specify figure number.