

## 7530 60° Separate Rollers

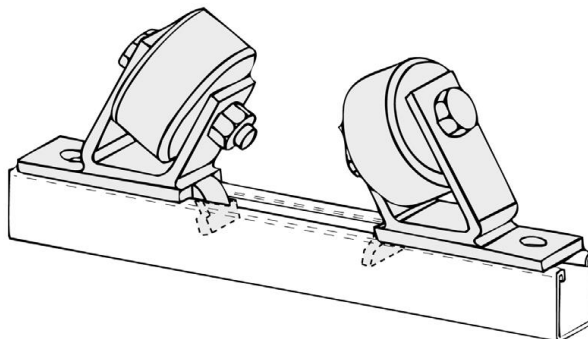


Fig. Number	For Pipe Sizes	Max. Rec. Load		Std. Package	Wt. Per Set	
		lbs.	Kn		lbs.	kg
7530	6 - 18 (150 - 450)	1500	(6.67)	5 sets	4.10	(1.86)

**MATERIAL:** Cast Aluminum Rolls w/steel bracket.

**FINISH:** Electro-galvanized

**ORDERING:** Specify figure number.