

7050 & 7051 Square U-Bolt

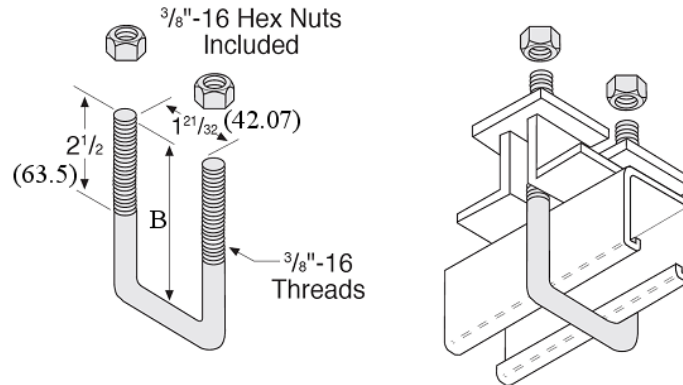


Fig. Number	Length B		Std. Package	Wt. Each	
				lbs.	kg
7050	3 ³ / ₈	(85.73)	25	.25	(.11)
7051	5	(127.00)	25	.33	(.15)

MATERIAL: Low Carbon Steel

FINISH: Electro-galvanized

ORDERING: Specify figure number.