

## 5665 8-Hole Gussetted Double Corner Connector

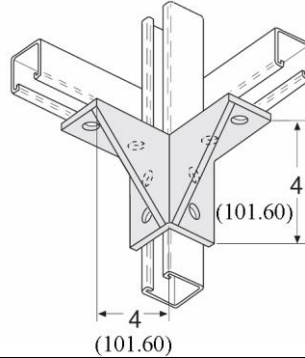


Fig. Number	Std. Package	Wt. Each	
		lbs.	kg
5665	5	2.17	(.98)

Available in stainless steel. To order, specify 304 or 316 and add suffix SS to fig. number. Price on request.

**MATERIAL:** 1/4 (6.35)

**FINISH:** Electro-galvanized

**ORDERING:** Specify figure number.

**HOLE DIM:** 9/16 (14.29) dia. • 13/16 (20.64) from end • 17/8 (47.63) on centers

## 5675 10-Hole Gussetted Double Corner Connector

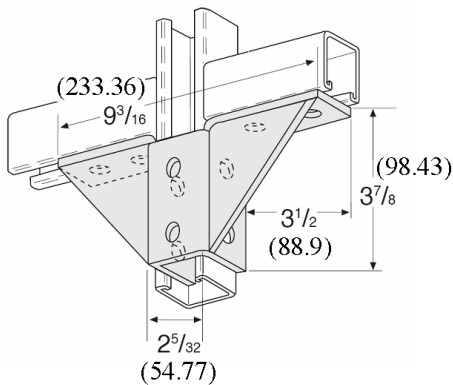


Fig. Number	Std. Package	Wt. Each	
		lbs.	kg
5675	5	2.85	(1.29)

**MATERIAL:** 1/4 (6.35)

**FINISH:** Electro-galvanized

**ORDERING:** Specify figure number.

**HOLE DIM:** 9/16 (14.29) dia. • 13/16 (20.64) from end • 17/8 (47.63) on centers

## 5685 8-Hole Gussetted Double Corner Connector

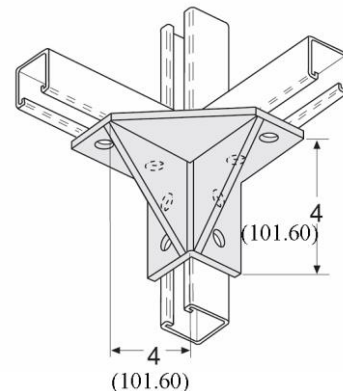


Fig. Number	Std. Package	Wt. Each	
		lbs.	kg
5685	5	4.70	(2.13)

**MATERIAL:** 1/4 (6.35)

**FINISH:** Electro-galvanized

**ORDERING:** Specify figure number.

**HOLE DIM:** 9/16 (14.29) dia. • 13/16 (20.64) from end • 17/8 (47.63) on centers

Unless otherwise specified, all dimensions on drawings and in charts are in inches and dimensions shown in parentheses are in millimeters.