



WING FITTINGS

5650 6-Hole Triple Wing Connector

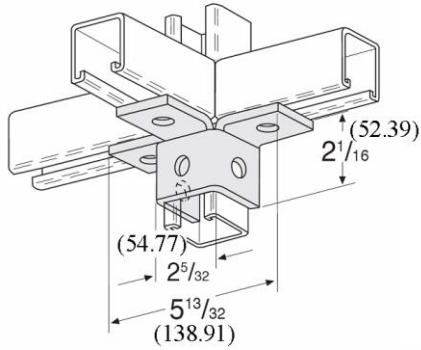


Fig. Number	Std. Package	Wt. Each	
		lbs.	kg
5650	10	1.07	(.49)

Available in stainless steel. To order, specify 304 or 316 and add suffix SS to fig. number. Price on request.

MATERIAL: 1/4 (6.35)

FINISH: Electro-galvanized

ORDERING: Specify figure number.

HOLE DIM: 9/16 (14.29) dia. • 13/16 (20.64) from end

5655 12-Hole Triple Wing Connector

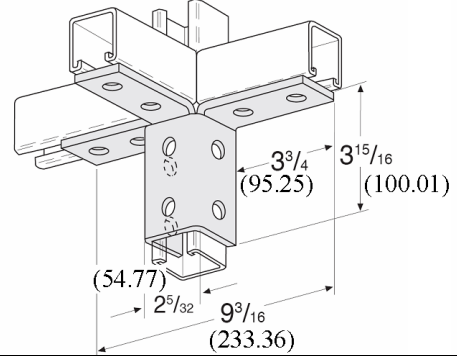


Fig. Number	Std. Package	Wt. Each	
		lbs.	kg
5655	10	2.39	(1.08)

Available in stainless steel. To order, specify 304 or 316 and add suffix SS to fig. number. Price on request.

MATERIAL: 1/4 (6.35)

FINISH: Electro-galvanized

ORDERING: Specify figure number.

HOLE DIM: 9/16 (14.29) dia. • 13/16 (20.64) from end • 1 7/8 (47.63) on centers

5660 9-Hole Triple Wing Connector

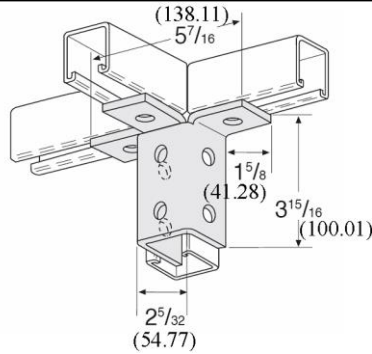


Fig. Number	Std. Package	Wt. Each	
		lbs.	kg
5660	10	1.93	(.88)

Available in stainless steel. To order, specify 304 or 316 and add suffix SS to fig. number. Price on request.

MATERIAL: 1/4 (6.35)

FINISH: Electro-galvanized

ORDERING: Specify figure number.

HOLE DIM: 9/16 (14.29) dia. • 13/16 (20.64) from end • 1 7/8 (47.63) on centers

Unless otherwise specified, all dimensions on drawings and in charts are in inches and dimensions shown in parentheses are in millimeters.