

WING FITTINGS



5620 4-Hole Double Corner Connector

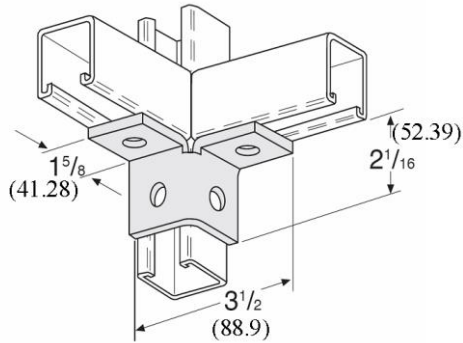


Fig. Number	Std. Package	Wt. Each	
		lbs.	kg
5620	25	.76	(.34)

Available in stainless steel. To order, specify 304 or 316 and add suffix SS to fig. number. Price on request.

MATERIAL: 1/4 (6.35)

FINISH: Electro-galvanized

ORDERING: Specify figure number.

HOLE DIM: 9/16 (14.29) dia. • 13/16 (20.64) from end

5625 6-Hole Double Corner Connector

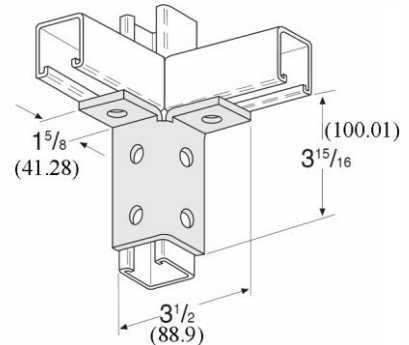


Fig. Number	Std. Package	Wt. Each	
		lbs.	kg
5625	25	1.15	(.52)

Available in stainless steel. To order, specify 304 or 316 and add suffix SS to fig. number. Price on request.

MATERIAL: 1/4 (6.35)

FINISH: Electro-galvanized

ORDERING: Specify figure number.

HOLE DIM: 9/16 (14.29) dia. • 13/16 (20.64) from end • 17/8 (47.63) on centers

5630 8-Hole Double Corner Connector

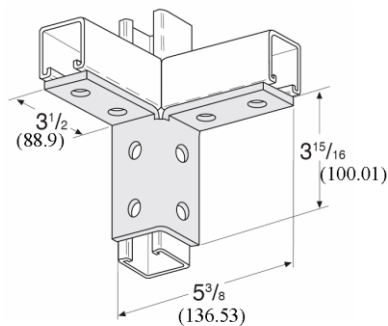


Fig. Number	Std. Package	Wt. Each	
		lbs.	kg
5630	10	1.55	(.70)

Available in stainless steel. To order, specify 304 or 316 and add suffix SS to fig. number. Price on request.

MATERIAL: 1/4 (6.35)

FINISH: Electro-galvanized

ORDERING: Specify figure number.

HOLE DIM: 9/16 (14.29) dia. • 13/16 (20.64) from end • 17/8 (47.63) on centers

Unless otherwise specified, all dimensions on drawings and in charts are in inches and dimensions shown in parentheses are in millimeters.