



WING FITTINGS

5600 & 5601 3-Hole Corner Connector

Fig. 5600 Right
Fig. 5601 Left

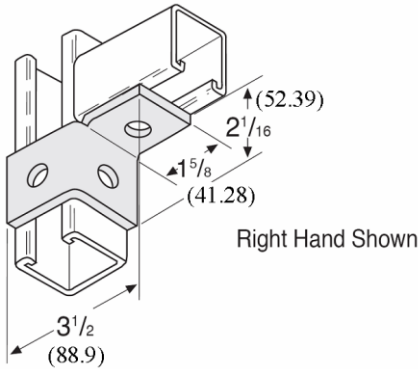


Fig. Number	Std. Package	Wt. Each	
		lbs.	kg
5600	25	.60	(.27)
5601	25	.60	(.27)

Available in stainless steel. To order, specify 304 or 316 and add suffix SS to fig. number. Price on request.

MATERIAL: 1/4 X 1 5/8 (6.35 X 41.28)

FINISH: Electro-galvanized

ORDERING: Specify figure number.

HOLE DIM: 9/16 (14.29) dia. • 13/16 (20.64) from end

5605 & 5606 4-Hole Corner Connector

Fig. 5605 Right
Fig. 5606 Left

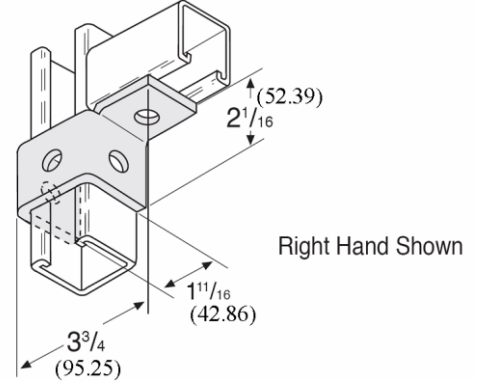


Fig. Number	Std. Package	Wt. Each	
		lbs.	kg
5605	25	.70	(.32)
5606	25	.70	(.32)

Available in stainless steel. To order, specify 304 or 316 and add suffix SS to fig. number. Price on request.

MATERIAL: 1/4 X 1 5/8 (6.35 X 41.28)

FINISH: Electro-galvanized

ORDERING: Specify figure number.

HOLE DIM: 9/16 (14.29) dia. • 13/16 (20.64) from end

5610 & 5611 5-Hole Corner Connector

Fig. 5610 Right
Fig. 5611 Left

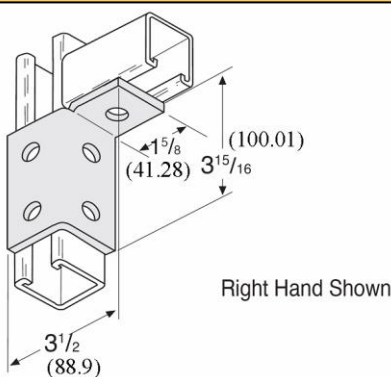


Fig. Number	Std. Package	Wt. Each	
		lbs.	kg
5610	25	1.00	(.45)
5611	25	1.00	(.45)

Available in stainless steel. To order, specify 304 or 316 and add suffix SS to fig. number. Price on request.

MATERIAL: 1/4 X 1 5/8 (6.35 X 41.28)

FINISH: Electro-galvanized

ORDERING: Specify figure number.

HOLE DIM: 9/16 (14.29) dia. • 13/16 (20.64) from end • 1 7/8 (47.63) on centers

5615 & 5616 6-Hole Corner Connector

Fig. 5615 Right
Fig. 5616 Left

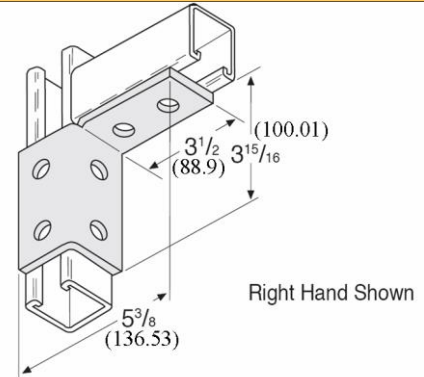


Fig. Number	Std. Package	Wt. Each	
		lbs.	kg
5615	25	1.20	(.54)
5616	25	1.20	(.54)

Available in stainless steel. To order, specify 304 or 316 and add suffix SS to fig. number. Price on request.

MATERIAL: 1/4 X 1 5/8 (6.35 X 41.28)

FINISH: Electro-galvanized

ORDERING: Specify figure number.

HOLE DIM: 9/16 (14.29) dia. • 13/16 (20.64) from end • 1 7/8 (47.63) on centers

Unless otherwise specified, all dimensions on drawings and in charts are in inches and dimensions shown in parentheses are in millimeters.