

90° FITTINGS



5220 2-Hole Adjustable Corner Angle

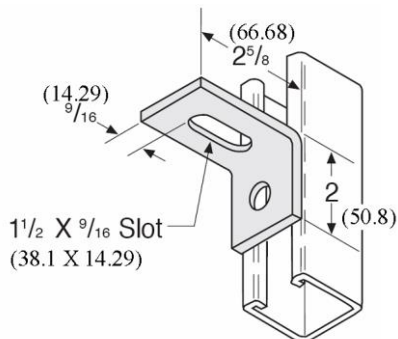


Fig. Number	Std. Package	Wt. Each	
		lbs.	kg
5220	25	.42	(.19)

Available in stainless steel. To order, specify 304 or 316 and add suffix SS to fig. number. Price on request.

MATERIAL: 1/4 X 1 5/8 (6.35 X 41.28)

FINISH: Electro-galvanized

ORDERING: Specify figure number.

HOLE DIM: 9/16 (14.29) dia. • 13/16 (20.64) from end

5221 2-Hole Adjustable Corner Angle

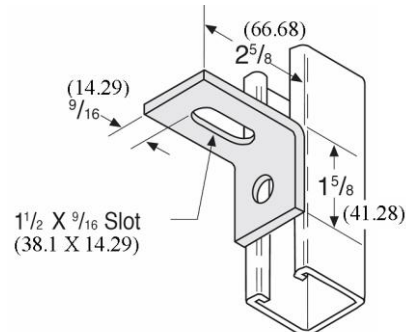


Fig. Number	Std. Package	Wt. Each	
		lbs.	kg
5221	25	.36	(.16)

Available in stainless steel. To order, specify 304 or 316 and add suffix SS to fig. number. Price on request.

MATERIAL: 1/4 X 1 5/8 (6.35 X 41.28)

FINISH: Electro-galvanized

ORDERING: Specify figure number.

HOLE DIM: 9/16 (14.29) dia. • 13/16 (20.64) from end

5225 2-Hole Adjustable Corner Angle

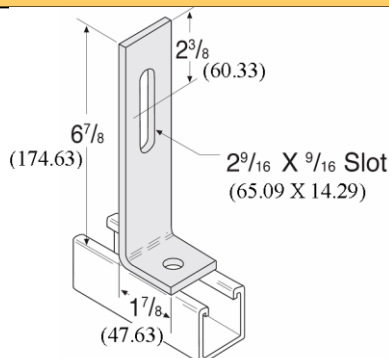


Fig. Number	Std. Package	Wt. Each	
		lbs.	kg
5225	25	.85	(.39)

Available in stainless steel. To order, specify 304 or 316 and add suffix SS to fig. number. Price on request.

MATERIAL: 1/4 X 1 5/8 (6.35 X 41.28)

FINISH: Electro-galvanized

ORDERING: Specify figure number.

HOLE DIM: 9/16 (14.29) dia. • 13/16 (20.64) from end

5226 2-Hole Adjustable Corner Angle

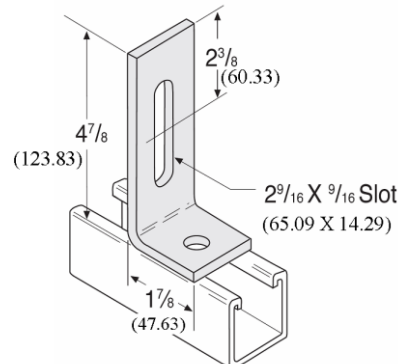


Fig. Number	Std. Package	Wt. Each	
		lbs.	kg
5226	25	.58	(.26)

Available in stainless steel. To order, specify 304 or 316 and add suffix SS to fig. number. Price on request.

MATERIAL: 1/4 X 1 5/8 (6.35 X 41.28)

FINISH: Electro-galvanized

ORDERING: Specify figure number.

HOLE DIM: 9/16 (14.29) dia. • 13/16 (20.64) from end

Unless otherwise specified, all dimensions on drawings and in charts are in inches and dimensions shown in parentheses are in millimeters.



90° FITTINGS

5228 2-Hole Adjustable Corner Angle

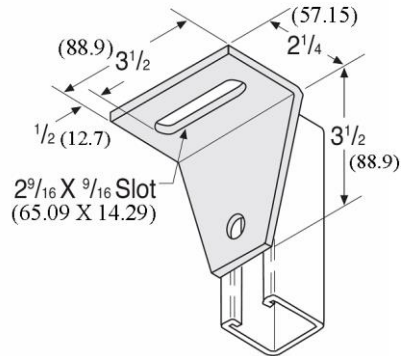


Fig. Number	Std. Package	Wt. Each	
		lbs.	kg
5228	25	.97	(.44)

MATERIAL: $\frac{1}{4}$ (6.35)

FINISH: Electro-galvanized

ORDERING: Specify figure number.

HOLE DIM: $\frac{9}{16}$ (14.29) dia. • $\frac{13}{16}$ (20.64) from end

Unless otherwise specified, all dimensions on drawings and in charts are in inches and dimensions shown in parentheses are in millimeters.