

## 5210 & 5211 6-Hole Gussetted Corner Connector

Fig. 5210 Right (95.25)  
Fig. 5211 Left

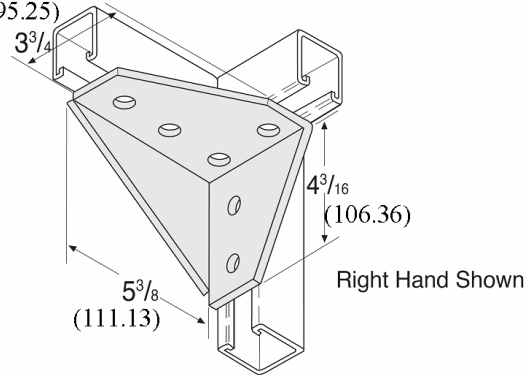


Fig. Number	Std. Package	Wt. Each	
		lbs.	kg
5210	15	2.29	(1.04)
5211	15	2.29	(1.04)

**MATERIAL:**  $\frac{1}{4}$  (6.35)

**FINISH:** Electro-galvanized

**ORDERING:** Specify figure number.

**HOLE DIM:**  $\frac{9}{16}$  (14.29) dia. •  $\frac{13}{16}$  (20.64) from end •  $1\frac{7}{8}$  (47.63) on centers