

5040 5-Hole Cross Plate

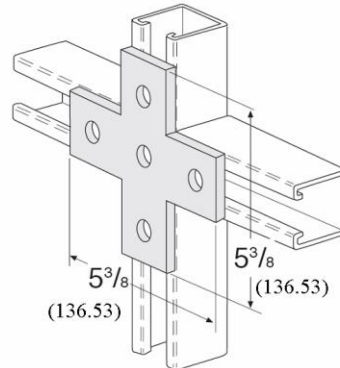


Fig. Number	Std. Package	Wt. Each	
		lbs.	kg
5040	25	1.00	(.45)

Available in stainless steel. To order, specify 304 or 316 and add suffix SS to fig. number. Price on request.

MATERIAL: $\frac{1}{4}$ (6.35)

FINISH: Electro-galvanized

ORDERING: Specify figure number.

HOLE DIM: $\frac{9}{16}$ (14.29) dia. • $\frac{13}{16}$ (20.64) from end • $\frac{17}{8}$ (47.63) on centers