

BEAM CLAMPS



FUNCTION: Designed for use with Fig. 345, Fig. 350, and Fig. 360 to offer more secure fastening of beam clamps to beam where seismic protection is provided.

APPROVALS: Underwriters' Laboratories Listed in the U.S. (UL) and Canada (CUL) for 3/8" and 1/2" rod sizes only. Meets NFPA13 requirements for hangers and fasteners subject to earthquakes.

MATERIAL: Low carbon steel

FINISH: Electro-galvanized

ORDERING: Specify rod size, length, finish and figure number.

NOTE: 2 inches (50.8) should be added to beam flange width to determine length.

Fig. 358 - 359 RETAINING STRAPS For Fig. 345, 350, & 360

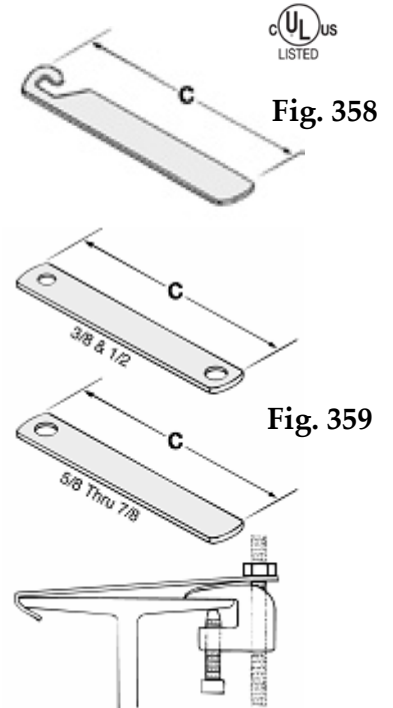
Fig. 358 RETRO-FIT RETAINING STRAP

Fig. 359 RETAINING STRAP

Fig. 358 Rod Size	Wt. Each													
	Length C													
	4 1/2 (114.3)	6 (152.4)		8 (203.2)		10 (254.0)		12 (304.8)		14 (355.6)				
3/8	.06	(.03)	.08	(.04)	.11	(.05)	.14	(.06)	.17	(.08)	.20	(.09)		
1/2	.06	(.03)	.08	(.04)	.11	(.05)	.14	(.06)	.17	(.08)	.20	(.09)		

Fig. 359 Rod Size	Wt. Each													
	Length C													
	4 1/2 (114.3)	6 (152.4)		8 (203.2)		10 (254.0)		12 (304.8)		14 (355.6)				
3/8 & 1/2	.09	(.04)	.12	(.05)	.15	(.07)	.21	(.10)	.22	(.10)	.29	(.13)		
5/8	.19	(.09)	.25	(.11)	.34	(.15)	.42	(.19)	.50	(.23)	.59	(.27)		
3/4	.19	(.09)	.25	(.11)	.33	(.15)	.41	(.19)	.49	(.22)	.57	(.26)		
7/8	.28	(.23)	.37	(.17)	.50	(.23)	.62	(.28)	.75	(.34)	.87	(.39)		

NOTE: Use jam nut over hanger rod to secure retaining strap. Available in stainless steel. To order, specify 304 or 316 and add suffix SS to figure number. Price on request.



Unless otherwise specified, all dimensions on drawings and in charts are in inches and dimensions shown in parentheses are in millimeters.