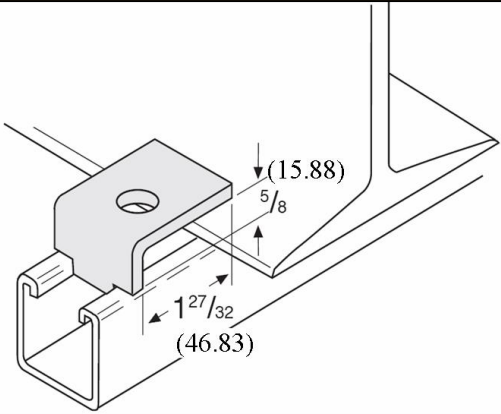




BEAM CLAMPS

7040 Beam Clamp



*Max. load when used in pairs.

Fig. Number	Std. Package	Max. Rec. Load		Wt. Each	
		lbs.	kN	lbs.	kg
7040	50	1200*	(5.34)	.26	(.12)

Note: Order 1/2" -13 X 1 3/4 HHCS and Strut Nut Separately

MATERIAL: 1/4 X 1 5/8 (6.35 X 41.28)

FINISH: Electro-galvanized

ORDERING: Specify figure number.

Unless otherwise specified, all dimensions on drawings and in charts are in inches and dimensions shown in parentheses are in millimeters.