

7060 Beam Clamp For use with 1 5/8 Strut

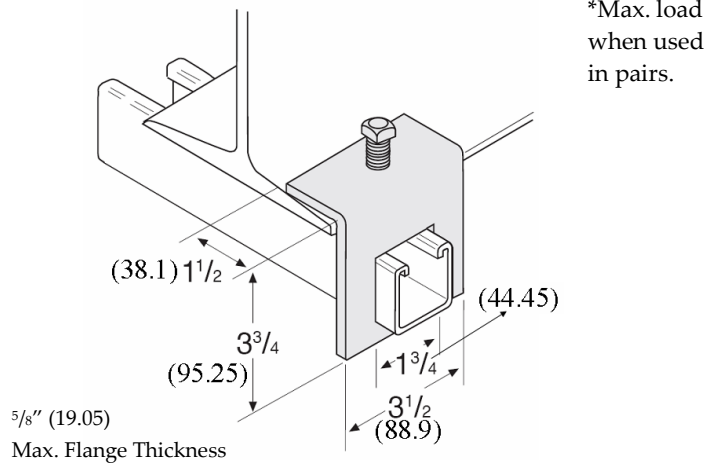


Fig. Number	Set Screw	Std. Package	Max. Rec. Load		Wt. Each	
			lbs.	kN	lbs.	kg
7060	1/2	25	900*	(4.00)	1.07	(.49)

MATERIAL: 1/4 (6.35)

FINISH: Electro-galvanized

ORDERING: Specify figure number.